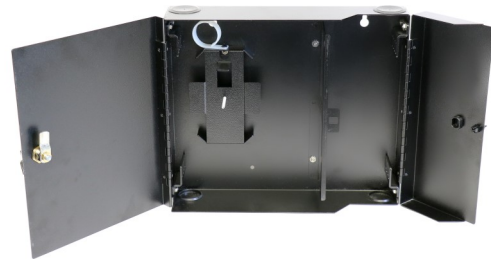
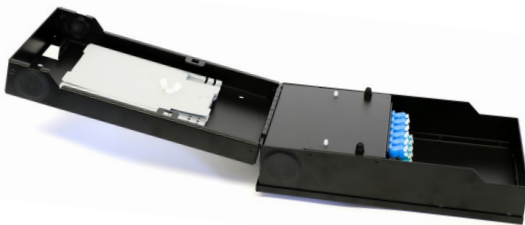


PATCH PANELS & ACCESSORIES



Easy to use panels

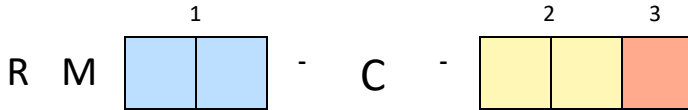
The Patch Panel and Accessories product line is a compact and modular approach to providing access to your fiber optic network and facilitating easy network changes and updates. The panels provide connector access to multiple fibers and are available in termination/splice style, or termination/Fiber Distribution Module (FDM) (FDM aka cassette). The splice option provides mounting for various size and quantities of splice trays, adapter strips and pigtails for those applications where fiber is accessed through blunt cable that is field spliced to pigtails with connectors housed in adapter strips. The termination and FDM style panels can accept adapter strips which are used to mate with pre-terminated or field terminated connectors of cable assemblies while the FDM option allows modular termination to MTP/MPO trunk cable assemblies with factory connectorized FDMs that fit in the panel. Easy access and fiber routing are provided inside each panel.

KEY FEATURES

- Rack mount panels for 19" or 23" equipment racks, flush mount or with 5.25" projection
- Wall mount panels for 12 and 24 fibers
- Panels accept standard small profile adapter strips and FDMs
- Most models optionally available with locks
- Black powder coat finish on panels, strips, and FDMs
- Easy accessibility for fiber routing
- Management clips, mounting hardware and installation instructions included with panels
- Models available for splicing applications, pre-terminated cable applications, field terminated cables and modular MTP/MPO multifiber trunk cables and fiber distribution modules
- Accessories include Splice Trays, Adapter Strips and FDMs to cover all your fiber needs.

ORDERING INFORMATION

Rack Mount Panels



1

Type	
T_	Termination & Cassette
TS	Termination & Splice

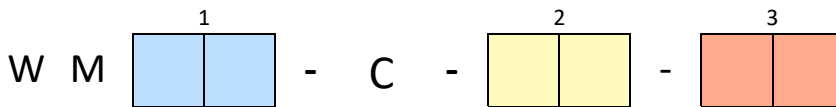
2

Rack Units	
1U	1U
2U	2U
4U	4U

3

Access Type	
S	Swing out tray
-	Hinged Door
L	Hinged Door/Lock on Front

Wall Mount Panels



1

Panel Type	
T_	Termination & Cassette
TS	Termination & Splice (uses 7" splice trays)

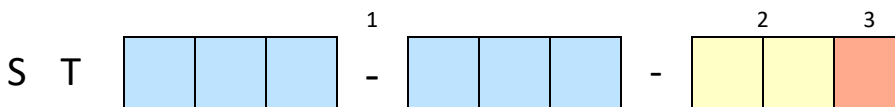
2

Access Type	
SW	Swing out/accordion style
SL	Swing out/ accordion, Locking
1D	1 Door
2D	2 Door
1L	1 Door Locking
2L	2 Door Locking

3

Fiber Count (SC)	
12	12/24 fiber
24	24/48 fiber

Splice Tray



1

Size	
7_-101	7" Long
875-103	8.75" long
10_-102	10" Long

2

# of Fibers	
12	12 Fiber
24	24 Fiber

3

Type	
F	for Fusion Splice
R	for Ribbon Splice
M	for Mechanical Splice

Example P/Ns

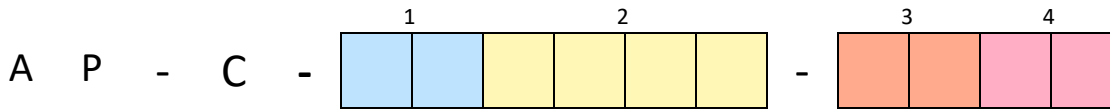
4U Rack Mount Panel, for Adapter strips or Cassettes w/lockable door= **RMT-C-4UL**

Wall Panel for termination and splice accordion style, 12f = **WMTS-C-SW-12**

7" 12f splice tray for fusion splices = **ST7-101-12F**

ORDERING INFORMATION

Adapter Strips



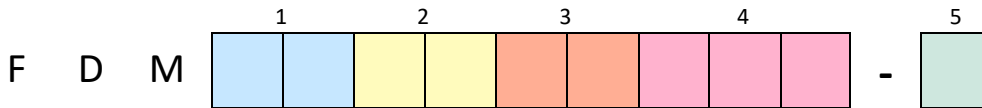
1	Type
6	6 Fiber (Not LC)
12	12 Fiber
24	24 Fiber (LC only)

2	Connector Type
SC_	SC Simplex
SCA_	SC apc
SCD_	SC Duplex
SCDA	SC apc Duplex
ST_	ST
LCD_	LC Duplex
LCQ_	LC Quad

3	Fiber Type
MM	OM1, OM2
AQ	OM3, OM4
SM	Singlemode

4	Mating Sleeve Type
Z_	Zirconia
PB	Phosphor bronze

Fiber Distribution Modules (FDMs)



1	Type
6	6 Fiber
12	12 Fiber
24	24 Fiber (LC only)

2	Connector Face
SC	SC (Simp-6f, Dup-12f)
LC	LC (Dup-12f, Quad -24f)

3	Connector Rear
MT	MTP male 12F
MF	MTP Female 12F
2M	MTP male 24F
2F	MTP female 24F
M3	MTP female super low loss OM4
M4	MTP male super low loss OM4

4	Fiber Type
OM1	OM1
OM2	OM2
OM3	OM3
OM4	OM4
SM_	Singlemode

5	Housing
B	Black Housing
C	Black Body, Clear Shell

Example P/Ns

Adapter Strip. 24 Fiber LC for OM3= **AP-C-24LCQAQZ**

FDM 12 Fiber SM LC w/MTP(m) = **FDM12LCMT-SM-B**

TECHNICAL SPECIFICATIONS

Rack Mount Panels

Splice & Terminate Panels (accommodates splice trays and adapter strips)					Terminate (accommodates adapter strips and cassettes)		
Size	P/N	# Adapter Strips	Splice Trays (# fibers)	Access	P/N	# Strips or Cassettes (# fibers)	Access
1U 1.75"h x 17"wx14"d	RMTC-C-1US	2	One 7" (12F)	Swing out	RMT-C-1US	Two (24F/48F LC)	Swing out
1U 1.75"h x 17"wx14"d	RMTC-C-1U	3	Three 7" (36F)	Door & rear panel	RMT-C-1U	Three (36F/72F LC)	Door & rear panel
2U 3.5"h x 17"w x 12"d	RMTC-C-2U	6	Three 8.75" (36F)	Door & rear panel	RMT-C-2U	Six (72F/144F LC)	Door & rear panel
	RMTC-C-2UL			Incl/locking door	RMT-C-2UL		Incl/locking door
4U 7"h x 17"w x 12"d	RMTC-C-4U	8	Four 10" (96F)	Door, rear panel & slide mt.	RMT-C-4U	Twelve (144F/288F LC)	Door & rear panel
	RMTC-C-4UL			Incl/locking door	RMT-C-4UL		Incl/locking door

Wall Mount Panels

Splice & Terminate Panels (accommodates splice trays and adapter strips)					Terminate (accommodates adapter strips and cassettes)		
Size	P/N	# Adapter Strips	Splice Trays (# fibers)	Access	P/N	# Strips or Cassettes (# fibers)	Access
12"h x 7"w x 3.6"d	WMTC-C-SW-12	2	2 x 7" splice trays (12 F per tray)	Accordion Style			
	WMTC-C-SWL-12			Incl/lock			
13"h x 12"w x 3.1"d	WMTC-C-1D-24	4	4 x 7" splice trays (12F per tray)	One door	WMT-C-1D-24	Four (48F/96F LC)	One door
	WMTC-C-1L-24			Incl/locking door	WMT-C-1L-24		Incl/locking door
14"h x 12"w x 3.3"d	WMTC-C-2D-24	4	4 x 7" splice trays (12F per tray)	2 doors	WMT-C-2D-24	Four (48F/96F LC)	2 doors
	WMTC-C-2L-24			Incl/locking doors	WMT-C-2L-24		Incl/locking door

TECHNICAL SPECIFICATIONS

Splice Trays

Size	Max Fiber #	Material	Fusion Splice Type P/N	Mechanical Splice Type P/N	Ribbon Splice Type P/N
7" x 5" x 0.3"	12	Snap together anodized aluminum with splice holders and central mounting hole.	ST7-101-12F	ST7-101-12M	ST7-101-12R
8.75" x 5" x 0.3"	12		ST875-102-12F	ST875-102-12M	ST875-102-12R
10" x 5" x 0.3"	24		ST10-103-24F	ST10-103-24M	ST10-103-24R

Adapter Strips

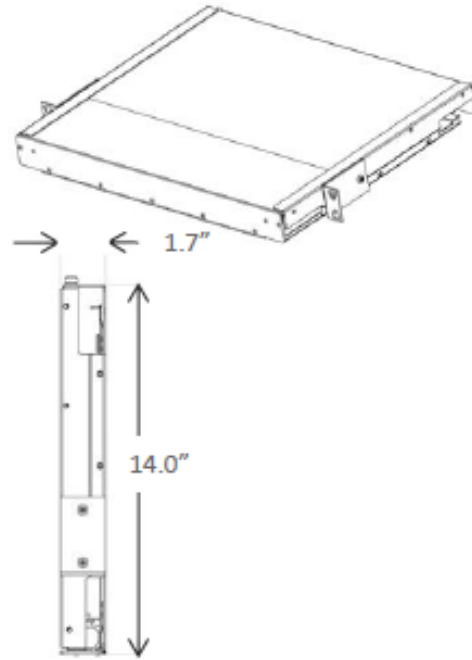
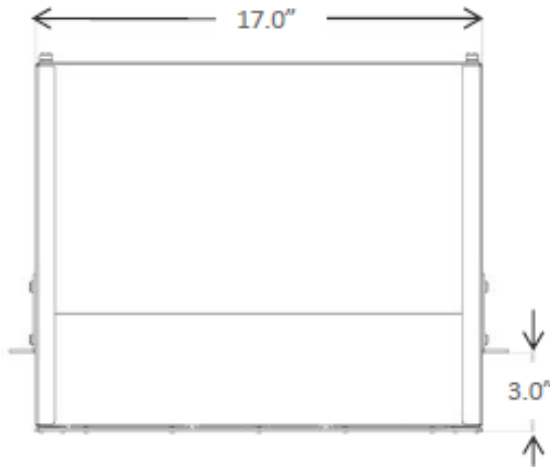
Form Factor	Colour	Material	Mounting Pins	Adapters
1.12" x 5.1"	Black	Powder coated steel	4.68" centers	Industry standard type according to P/N description snapped into mounting cutout

Fiber Distribution Modules

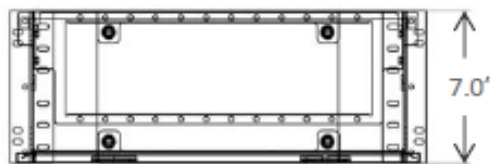
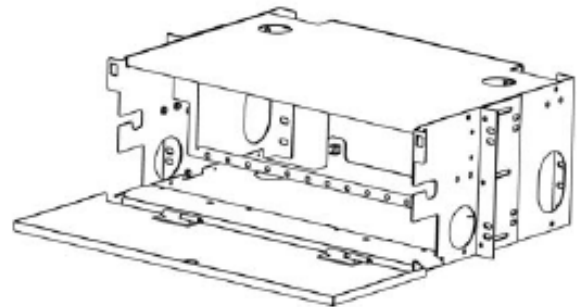
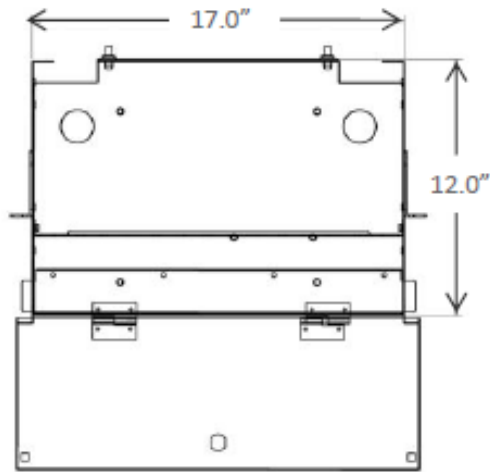
Form Factor	Colour	Material	Mounting Pins	Adapters and Performance
1.12" x 5.1" face plate with 4" x 4.5" x 1.08" housing	Black	Powder coated steel	4.68" centers	<p>Face: Industry standard type according to P/N description snapped into mounting cutout.</p> <p>Rear: Industry standard MTP/MPO style, male (with pins)</p> <p>Performance: Standard IL <0.35 dB type, 0.9dB max and super low loss (OM4 only) IL <0,2 dB type, 0.5dB</p>

TECHNICAL SPECIFICATIONS

1U Rack Mount Panel P/N RMT x-C-1Ux

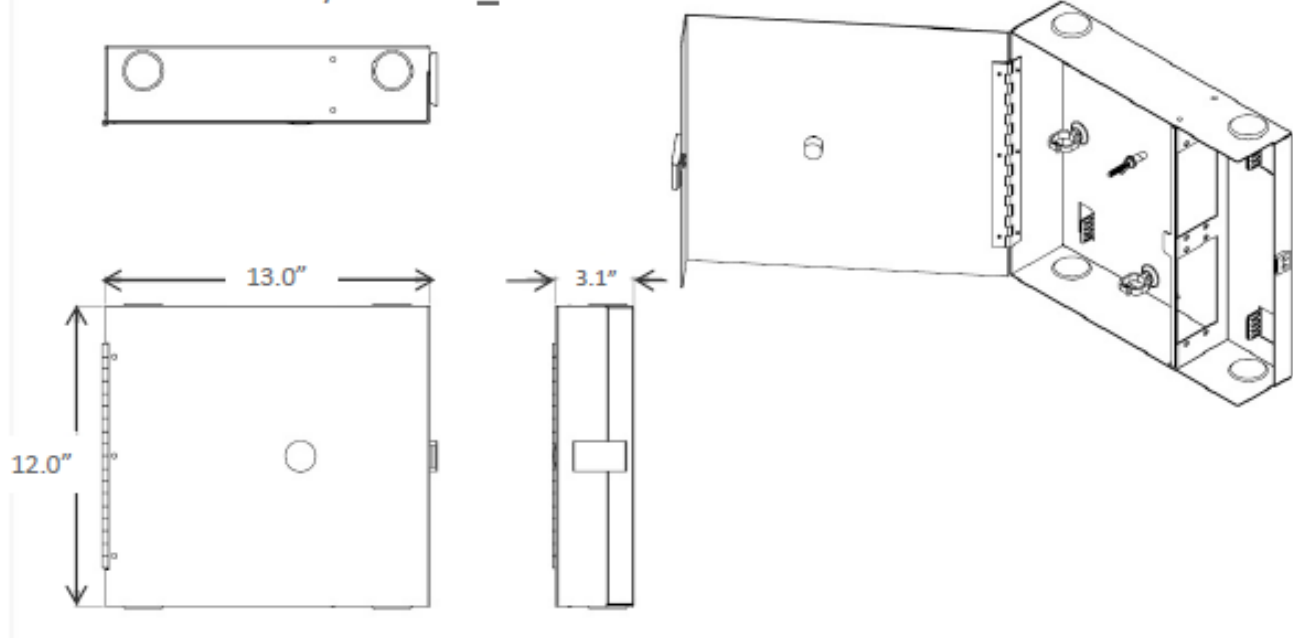


4U Rack Mount Panel P/N RMT x-C-4Ux



TECHNICAL SPECIFICATIONS

Wall Mount Panel P/N WMT_x-C-1x-24



Wall Mount Panel P/N WMT_x-C-2x-24

