

# MULTIPURPOSE CASSETTE (MPC)



## Multiple use cassette with several mounting options

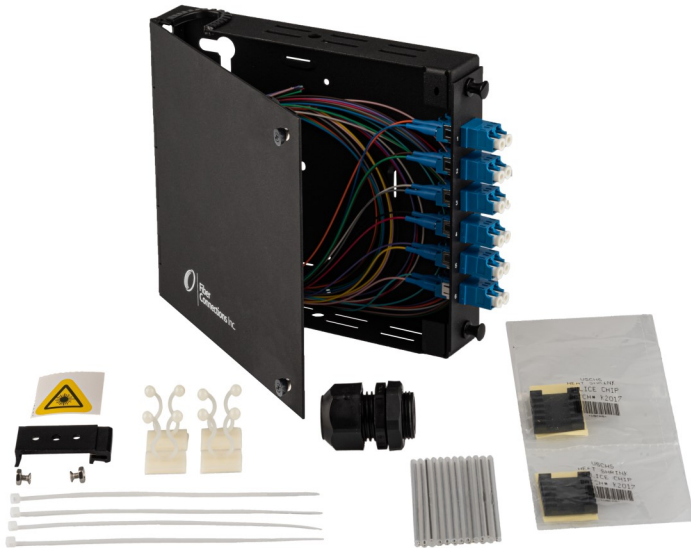
Fiber Connections' MPC or "Multipurpose Cassette" is a versatile single panel cassette that has functionality plus! This single panel LGX Cassette is an excellent choice for either pre-terminated cable interconnection or cable splicing applications, both which can be easily routed inside. The small footprint of the cassette along with several different mounting options makes it adaptable for many scenarios. The LGX adapter panel can hold up to 12 fibers (LC), and there are two cable entry locations for added flexibility. On the back of the cassette there is a cutout for MTP adapters should the application require a pre-terminated solution.

### KEY FEATURES

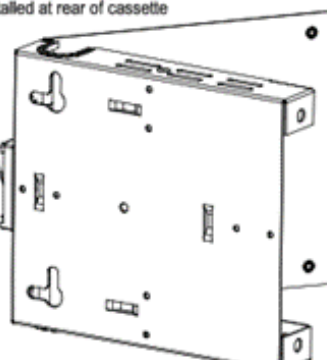
- Two cable entry locations
- Provision for optional MTP termination in the back of the cassette
- DIN rail mounted or wall mount option
- Standard LGX adapter panel at front. Option for a blank plate for splice only applications
- Provides room for up to 12 splices

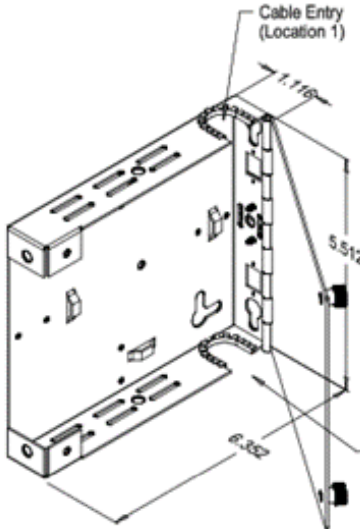
## ACCESSORIES INCLUDED

- DIN rail clip
- Cable ties
- Cable entry gland
- Cable management clips
- Identification label
- Splice chips



Shown with DIN clip installed at rear of cassette

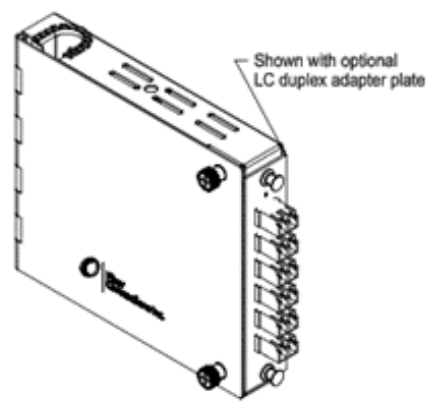




Cable Entry (Location 1)

Cable Entry (Location 2)

Shown with optional LC duplex adapter plate



PN Variable	Code
Adapter Plate	XX
LC Duplex x6	LD
SC Duplex x6	SD
ST Simplex x12	ST
SC Simplex x6	SC
ST Simplex x6	SS
None (No Plate)	NA
None (Blank Plate)	BL
Fiber Type/Adapter Colour (Y)*	Y
Aqua (OM3/OM4)	A
Beige (OM1)	1
Blue (OS2)	2
Green (OS2/APC)	3
Not Applicable	N
Pigtail Option (Z)	Z
With 900um pigtail kit	Y
No pigtails	N

**Kit Included Accessories:**

- 1 x DIN clip and screws
- 1 x Cable entry gland (4.8mm to 11.4mm)
- 2 x 6 position splice chip
- 12 x Fusion splice sleeves (60mm long, clear, 2.5mm)
- 4 x Tie wraps
- 4 x Cable management clips
- 1 x Laser radiation label
- 1 x Port ID label

### MPC-LGX-XX-Y-Z

Adapter Plate (X)
Fiber Type/Adapter Colour (Y)
Pigtail Option (Z)

\*all ST adapters are metallic (no color) regardless of Y variable option selected.