

# OTDR Launch Box/Cords



**Fiber  
Connections Inc.**  
*Innovate | Design | Deliver*

# OTDR Launch Box/Cords

Get the whole picture!



A continuous span of fiber with no fusion splices

Fiber Connections' OTDR Launch Boxes and Portable Launch Cords provide a calibrated span of Optical fiber to evaluate near-end connectors and anomalies in network fiber systems. The Launch Cord is placed between the system under test and OTDR to improve the OTDR's ability to identify passive system components and abnormalities at the near end, during system qualification and troubleshooting. Our Launch products are fusion splice free giving you the highest accuracy from your OTDR near-end measurements.

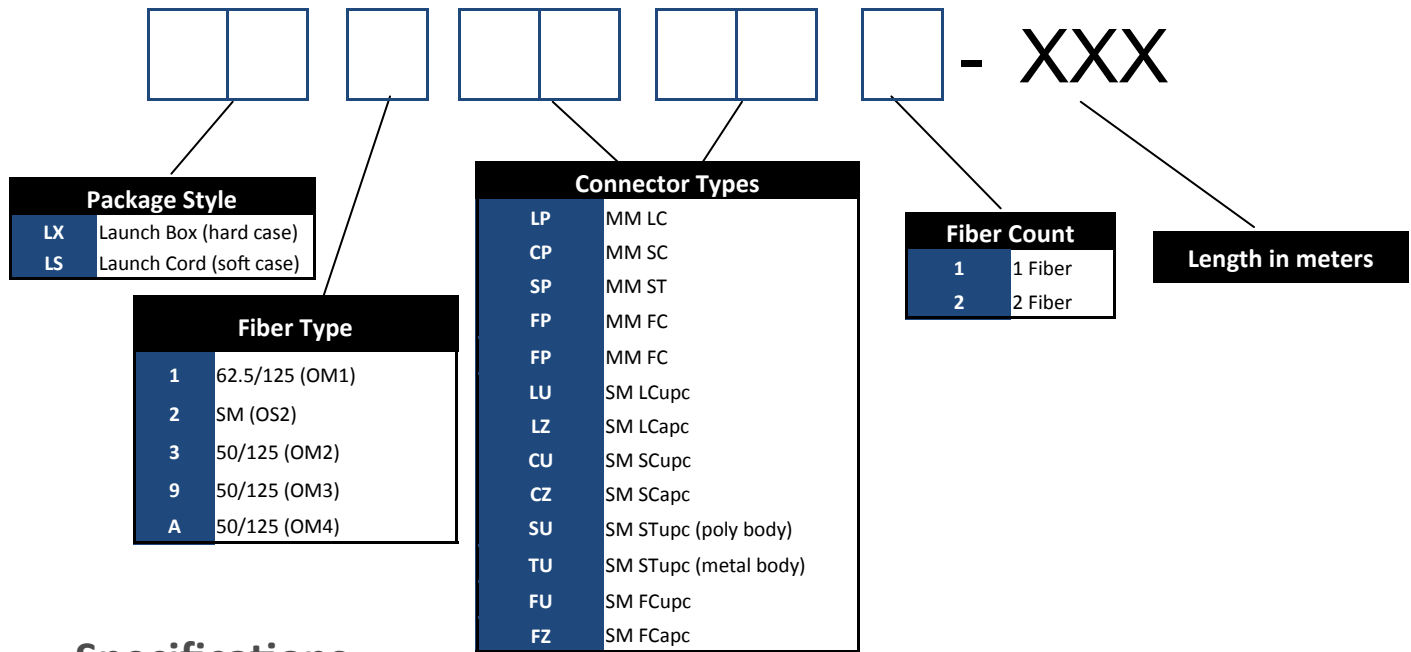
## KEY FEATURES

- box design is ideal for long lengths (up to 25km)
- cord design is ideal for short lengths (up to 500 meters)
- boxes use a rugged plastic transit case for maximum protection
- cords are packaged in a small zippered case for maximum portability and protection
- fusion splice free for most accurate OTDR measurements
- standard connector styles and fiber types are available
- manufactured in North America for quick turn around
- 100% tested and inspected



## ORDERING INFORMATION AND TECHNICAL SPECIFICATIONS

### Ordering Information



### Specifications

Fiber Types: Single-mode, Multimode 50/125µm, Multimode 62.5/125µm
Launch Boxes: 23.5x19.7x11.4cm; 1.8kg
Launch Cords Case: 15.25cm x15.5cm x 2.6cm; 0.2kg
Temperature Range: -40° to 50° C
Humidity: 0 to 95%
Max Fibers per Unit: 2
Connector Type: FC, SC, ST, LC, FCapc, SCapc, LCapc, MTRJ, (others available upon request)
Unit Colour: Black, (others available upon request)