

# HD LINEAR RACK MOUNT ENCLOSURES



## User friendly high density rack mount enclosures!

HD Linear Rack Mount Enclosures are compatible with both splice and MPO style HDL cassettes. All panels can fit in a 19" or 23" communications rack and feature a positive locking latch that prevents loaded cassettes from sliding out of the panel once installed. 1U, 2U and 4U panels are capable of accommodating 144, 288 and 576 fibers respectively. All panels come equipped with a sturdy rear cable management bracket which can be used to secure incoming cables at the rear of the panel. Front of rack cable management is handled by the cassettes built in cable management features.

## KEY FEATURES

- up to 144 fibers in a 1U, 288 in a 2U and 576 in 4U enclosure
- convenient installation using sliding rail system with positive locking features
- many standard configurations in stock
- fits in standard 19" communication racks

## ORDERING INFORMATION

Part Number	Description
HDLRM1U	1U 19" High Density Linear Patch Panel
HDLRM2U	2U 19" High Density Linear Patch Panel
HDLRM4U	4U 19" High Density Linear Patch Panel

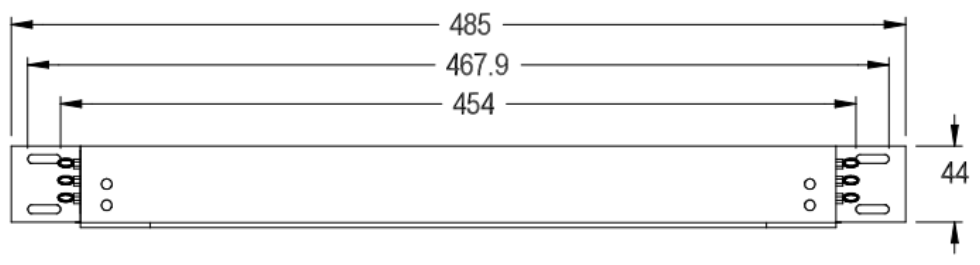
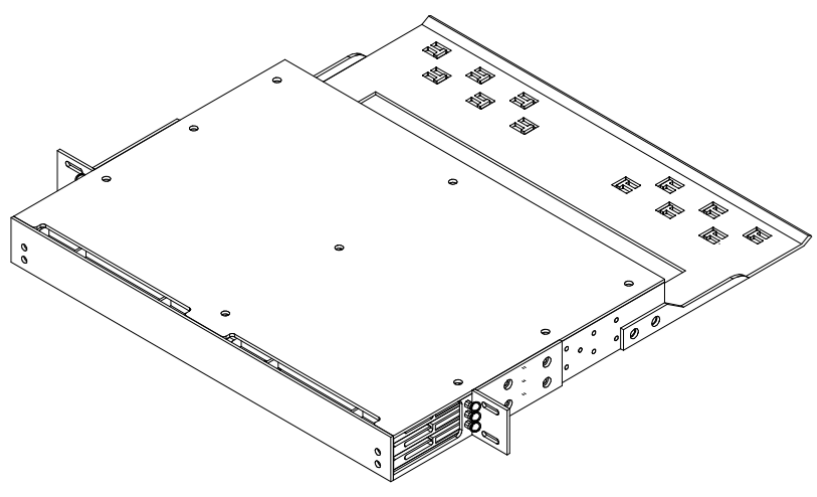
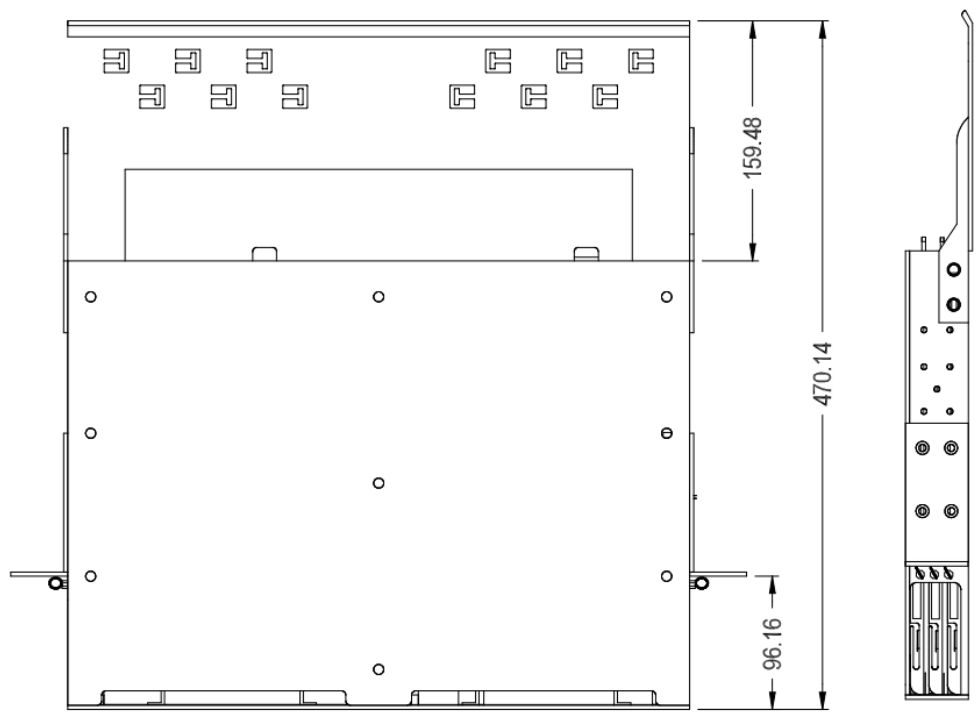
- Non-standard configurations are available on request. Contact customer service to discuss your specific requirement.

## TECHNICAL SPECIFICATIONS

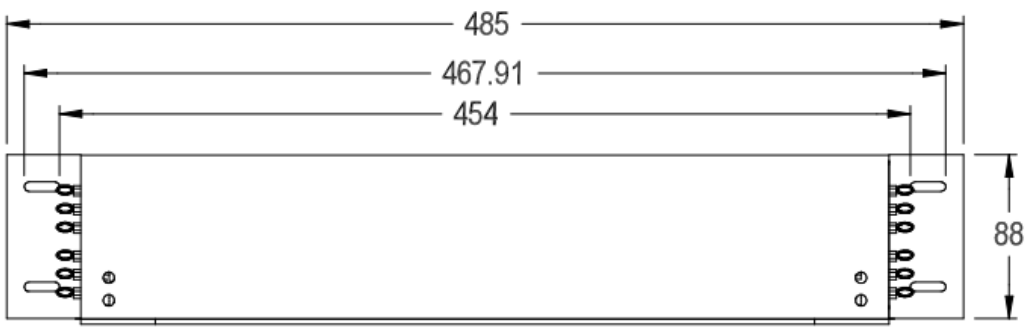
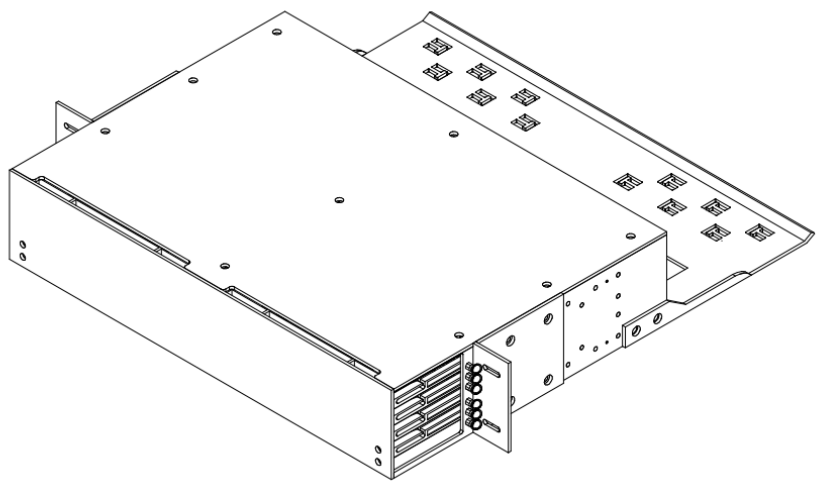
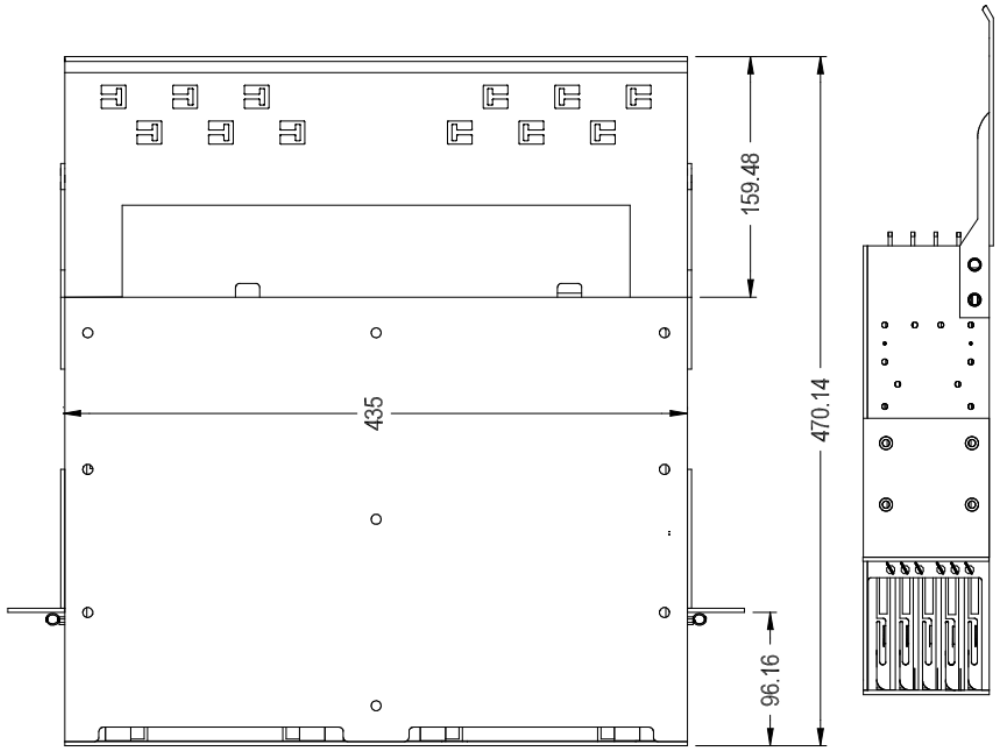
	1U Panel	2U Panel	4U Panel
Size (mm)	485 x 470 x 44	485 x 470 x 88	485 x 470 x 176
Weight (kg)	4	6.5	11.5
Fiber Capacity	LC 144 / SC 72	LC 288 / SC 144	LC 576 / SC 288
Material	Powder Coated Steel	Powder Coated Steel	Powder Coated Steel
Operating Temp (Celsius)	-25 to +70	-25 to +70	-25 to +70



SPECIFICATIONS: HDLRM1U



SPECIFICATIONS: HDLRM2U



SPECIFICATIONS: HDLRM4U

