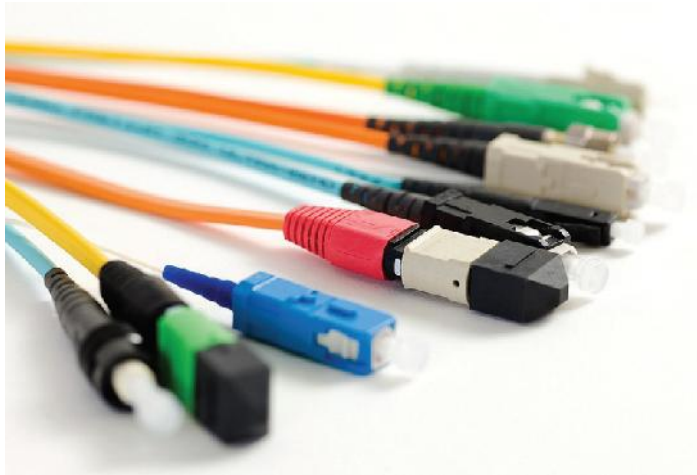


## VP Series Patch Cords

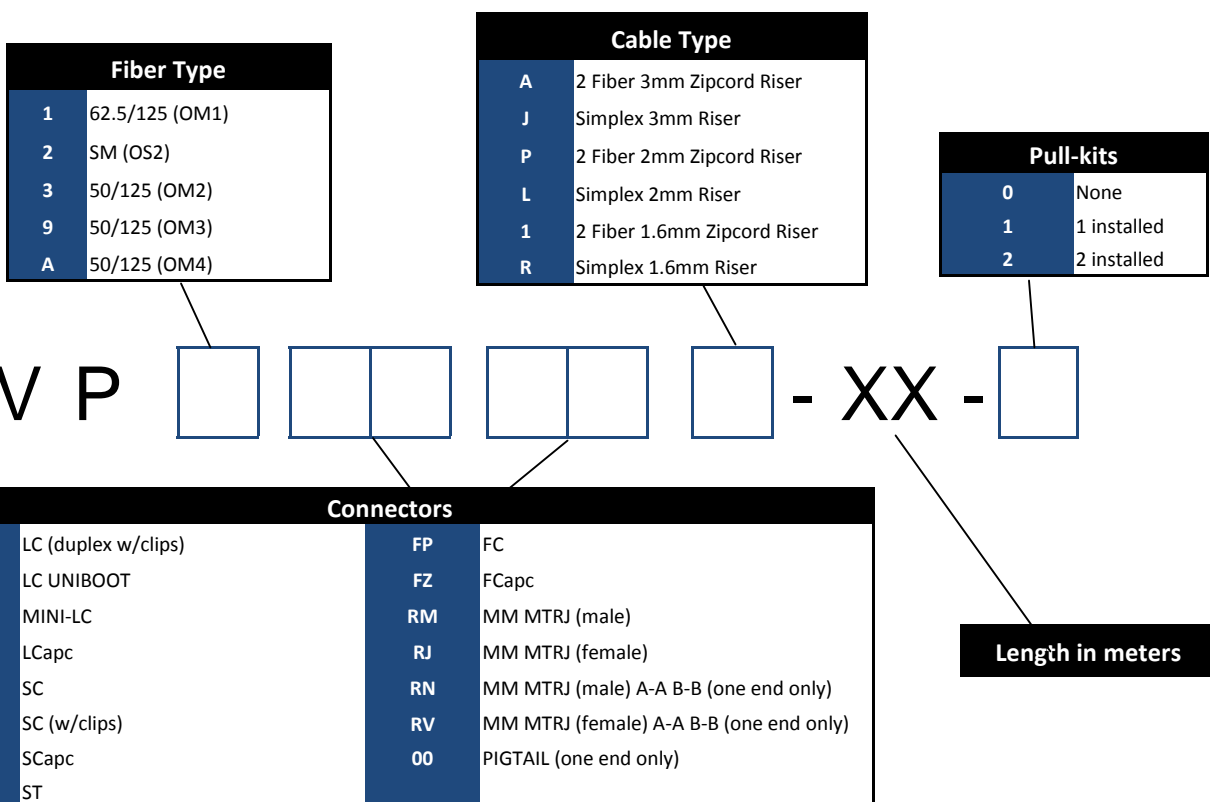
Fiber Connections Inc. Offers cost effective Value Plus patch cords to suit your fiber interconnect needs. All of our VP patch cords are built in our North American manufacturing facility with high quality components and adhere to the highest manufacturing standards. We stock a large variety of standard cable and connector types and can build custom length cords very quickly.



### KEY FEATURES

- QUICK DELIVERY OF STANDARD AND CUSTOM LENGTH PATCH CORDS
- AVAILABLE WITH ALL STANDARD CABLE AND CONNECTOR CONFIGURATIONS
- ALL PRODUCT IS BUILT IN OUR NORTH AMERICAN FACILITY USING HIGH QUALITY COMPONENTS
- CUSTOM CONFIGURATIONS AVAILABLE UPON REQUEST

## Ordering Information



## Specifications

### Connector Performance

Connector	Insertion Loss (dB)		Reflectance (dB)		Durability	Ferrule Material	Housing Material
	Typical	Max	Typical				
FC	0.2	0.4	≤ -58		< 0.2dB	Ceramic	Metal Alloy
FCapc	0.2	0.4	≤ -68		< 0.2dB	Ceramic	Metal Alloy
LC	0.2	0.4	≤ -58		< 0.2dB	Ceramic	Composite
LCapc	0.2	0.4	≤ -68		< 0.2dB	Ceramic	Composite
MTRJ	0.3	0.4	≤ -53		< 0.2dB	Composite	Composite
SC	0.2	0.4	≤ -58		< 0.2dB	Ceramic	Composite
SCapc	0.2	0.4	≤ -68		< 0.2dB	Ceramic	Composite
ST	0.2	0.4	≤ -58		< 0.2dB	Ceramic	Metal Alloy

### Optical Fiber Transmission Performance

Fiber Type	62.5/125µm (850/1300nm)	50/125µm (850/1300nm)	50/125µm (850/1300nm)	50/125µm (850/1300nm)	Single-mode (1310/1383/1550nm)
ISO/IEC name	OM1	OM2	OM3	OM4	OS2
Max. Attenuation (dB/km)	3.4/1.0	3.0/1.0	3.0/1.0	3.0/1.0	0.65/0.65/0.5
Min. Over Filled					
Launch (OFL)	200/500	700/500	1500/500	1500/500	- / - / -
Bandwidth (MHx•km)					
Min. Effective Modal	220 / -	950 / -	2000 / -	5350 / -	- / - / -
Bandwidth (MHx•km)					
Serial 1 Gigabit	300/550	750/600	1000/600	1000/600	5000 / - / -
Ethernet Distance (m)					
Serial 10 Gigabit	33 / -	150 / -	300 / -	600 / -	10000 / - / 40000
Ethernet Distance (m)					

Please contact customer service for additional information.

Custom configurations available upon request.

All specifications are subject to change