

# GATORPATCH



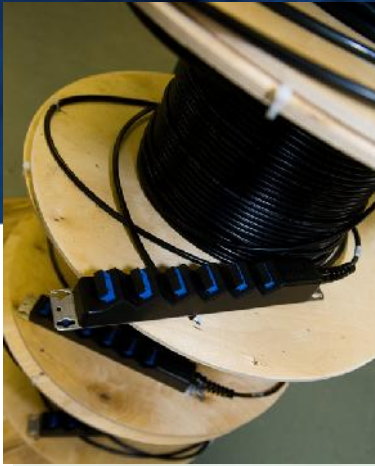
The ultimate fiber  
distribution terminal



**Fiber  
Connections Inc.**  
*Innovate | Design | Deliver*

# GATORPATCH

## Rugged, Fast, Reliable!



Trust the original  
GatorPatch for all your  
fiber distribution needs

The GatorPatch is a unique, rugged, factory terminated fiber distribution solution. Easy to install in the field, this patented product has been used extensively all across the globe in a wide range of applications such as ITS (transportation), industrial, power utility, etc. With such a wide array of fiber and connector options, the GatorPatch is THE product to use for pre-terminated “plug & play” applications. The GatorPatch is manufactured and tested to the highest industry standards right here in North America in our state of the art manufacturing facility.

## KEY FEATURES

- installs quickly in outdoor enclosures, pedestals, and equipment racks at zero RU
- factory terminated and 100% tested
- available in many cable and connector configurations
- available as a pigtail for splicing or pre-terminated for plug & play applications
- slim body design is potted for additional ruggedness
- custom designs available upon request
- -40°C to +70°C operating temperature
- manufactured in North America for quick turn around
- up to 24 fibers in a single GatorPatch

# GATORPATCH



The GatorPatch found it's niche in the ITS (transportation) industry when contractors were looking for a solution that would give them a rugged, pre-terminated patch panel that would easily fit inside an awkward traffic control cabinet. They needed this patch panel to come with a blunt (pigtail) custom length tail at the other end that could be run to the underground trunk cable for splicing. Since that time, the list of potential applications for the GatorPatch has grown significantly. Below are some examples but, the list continues to grow.

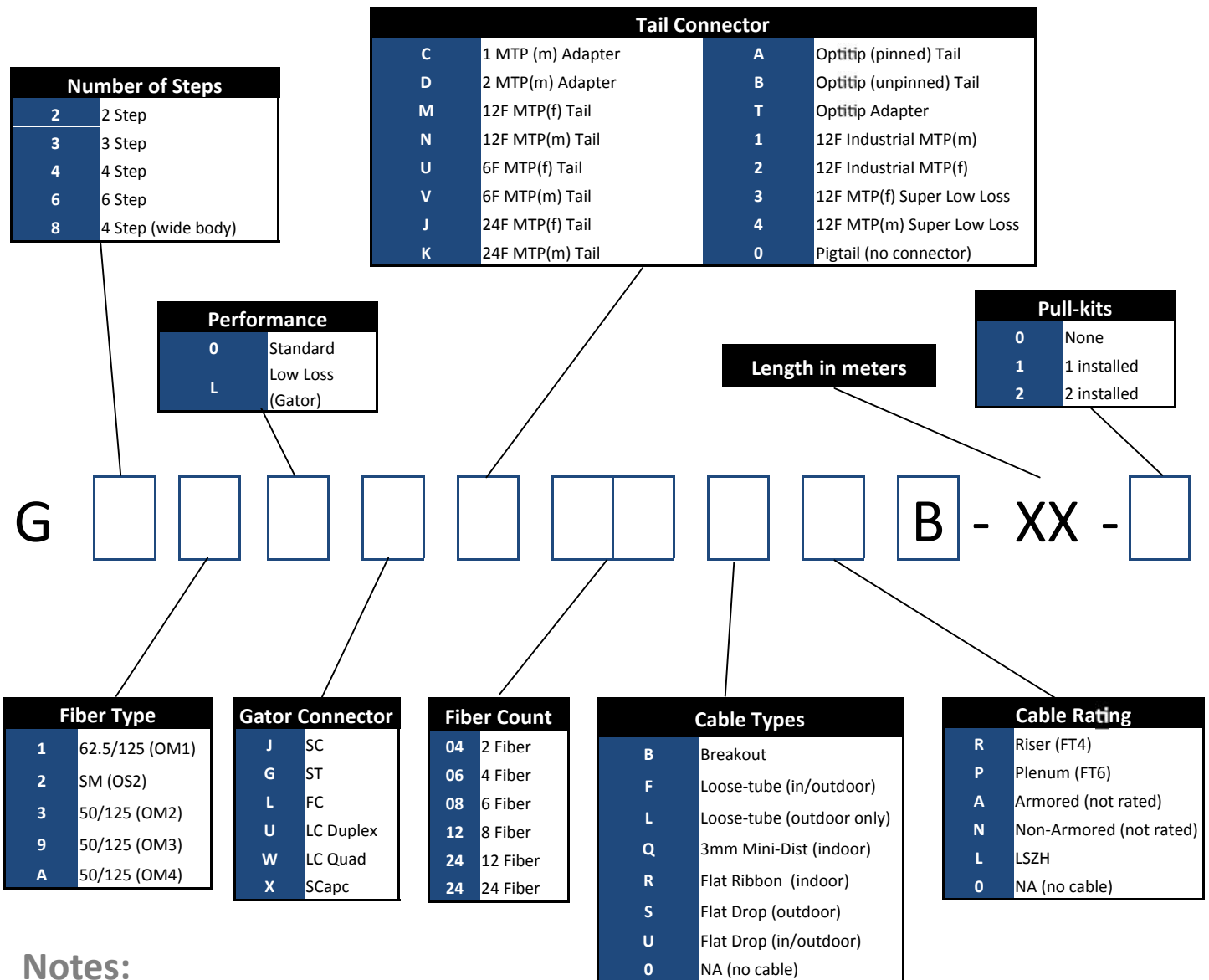
Above photo shows a GatorPatch installed in a typical traffic control cabinet. The blunt (pigtail) end of the cable is spliced to the main underground trunk cable

## Applications

- ITS (transportation)
- alternative energy (wind/solar)
- mining
- oil and gas
- industrial
- cellular
- quick deployment
- disaster recovery



## ORDERING INFORMATION AND TECHNICAL SPECIFICATIONS



### Notes:

1. Low loss Gator connectors available on OS2, OM3, OM4 fiber only.
2. Super low loss MTP connectors available on OM4 fiber only.
3. Minimum length of cable tails is 2 meters.

Please contact customer service for additional information.  
 Custom configurations available upon request.  
 All specifications are subject to change

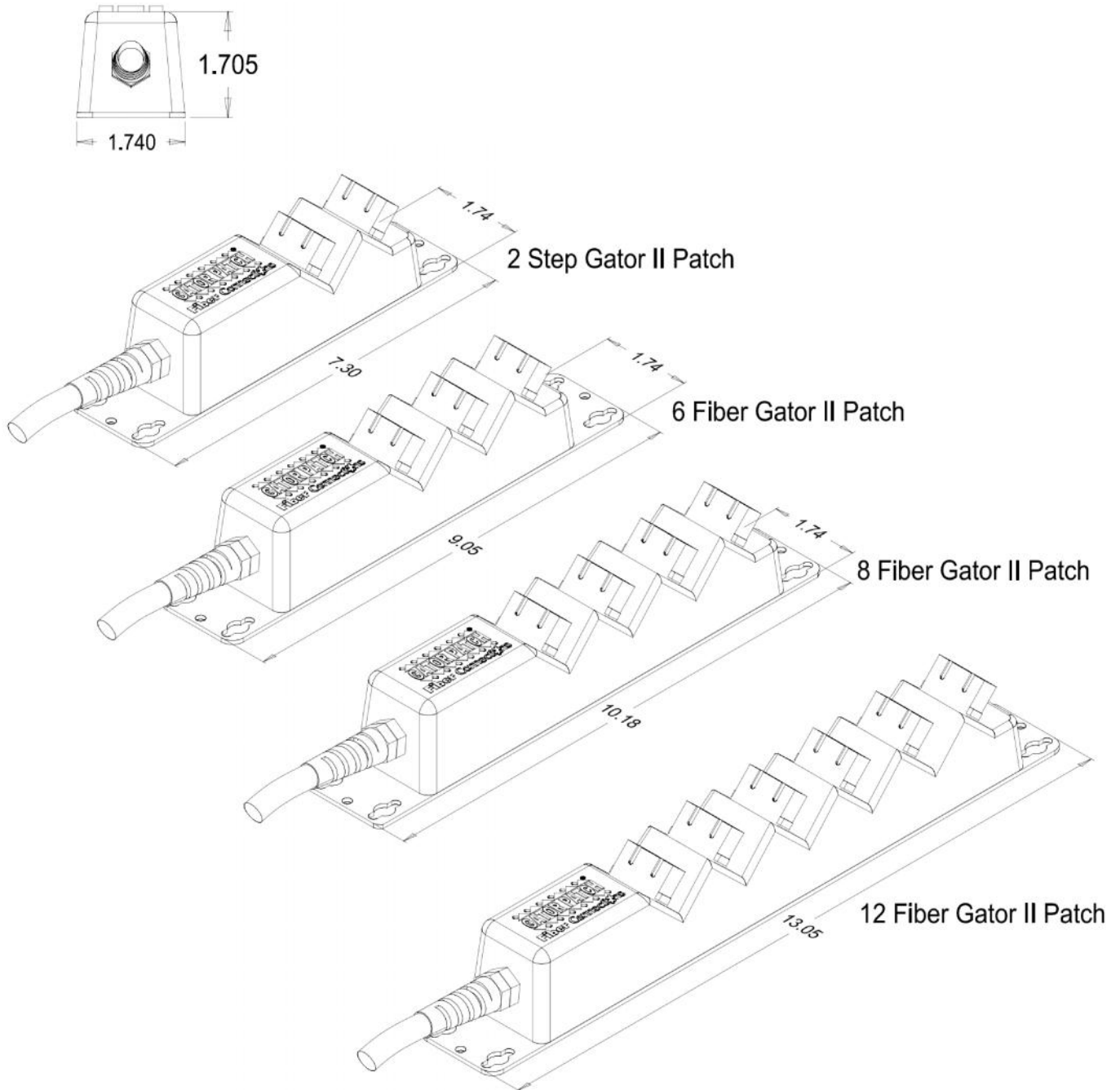
## ORDERING INFORMATION AND TECHNICAL SPECIFICATIONS

Technical Specifications - GatorPatch body connectors					
Connector Performance	Multimode (OM1, OM2, OM3, OM4)			Single mode (OS2)	
Test wavelength	850 and 1300nm			1550nm	
Insertion loss (per connector)	0.2dB, 0.15dB(low loss) typ.			0.2dB, 0.15dB(low loss) typical	
	0.4dB, 0.3dB(low loss) max.			0.4dB, 0.3dB(low loss) max.	
Reflectance	< -20dB			< -55dB	
Durability	500 matings, <0.2dB change			500 matings, <0.2dB change	
Tensile strength - straight pull (cable tail)	50lbs (220N), <0.2dB change			50lbs (220N), <0.2dB change	
Temperature range	-40 to +70C			-40 to +70C	
Ferrule polish	PC			upc, apc	
Connector options	ST, SC, LC, FC			ST, SC, LC, SCapc, Lcapc, FC	
Technical Specifications - MTP adapter or tail (when applicable)					
Insertion loss (MTP Multi fiber Connector)	0.2dB typ.			0.25dB, 0.2dB(low loss) typ.	
	0.5dB max, 0.35dB elite max. 0.2dB super low loss elite OM4			0.5dB, 0.35dB elite max.	
Insertion Loss (Optitip multifiber Connector & Industrial MPO)	0.3dB typical			0.3dB typical	
	0.75dB max			0.75dB	
Durability	500 matings, <0.2dB change			500 matings, <0.2dB change	
Temperature range	-40 to +70C			-40 to +70C	
Cable Performance	Multimode				Single-mode
Fiber Type	62.5/125µm	50/125µm			Single-mode
		(850/1300nm)			(1310/1550nm)
ISO/IEC name	OM1	OM2	OM3	OM4	OS2
Max. Atten. (dB/km)	3.4/1.0	3.0/1.0	3.0/1.0	3.0/1.0	0.4/0.3
Min. OFL - Bandwidth (MHz•km)	200/500	700/500	1500/500	1500/500	- / -



## SCHEMATICS

### 2,3,4,6 Step (slim) Gator Patch



## SCHEMATICS

### 4 Step (wide) Gator Patch

